



TABURETT PLUS Chair
Design: Peter Andersson, 2024

LAMMHULTS



AN EXTENSION OF AN ICONIC DESIGN

Designed by Peter Andersson, Taburett Plus is a homage to the popular 282 stool created by Lamshults founder Edvin Ståhl in 1955 and reissued as Taburett in 2014. Reflecting on the lasting relevance of this piece of Swedish design history, Andersson imagined a creative conversation with Ståhl as inspiration to extend the iconic design for a contemporary audience and tap into the founder's industrious mindset.

The resulting chair's seat and back are produced using plastic reclaimed from old refrigerators while all of the chair's materials can be separated for future recycling. The recycled plastic consists of old refrigerators. The backrest references a classic bistro chair, offering a contemporary twist on an informal seating option — complete with a carrying handle for portability and stacking. The seat and back come in 8 different colours to suit any mood or location. For a little extra comfort, the seat also comes in an upholstered option. Furthermore Taburett Plus is also available for outdoor use, the L-marked button in the seat conceals a drainage hole, ensuring effective rainwater drainage.

In a playful gesture, the familiar Lamshults-embossed button in the centre of the seat is accompanied by two oval counterparts located in the backrest. This is slow design with an optimistic spirit.

“It’s not always necessary to reinvent the wheel. Short-lived trends are not a sustainable way of making. You could say that Taburett Plus has taken nearly seven decades to evolve from its original starting point”

— Peter Andersson, Designer







TABURETT PLUS

CHAIR

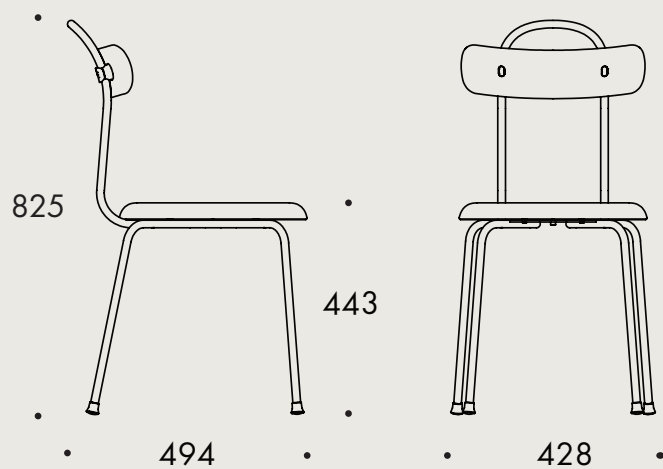


CHAIR WITH UPHOLSTERED SEAT



LAMMHULTS

SPECIFICATIONS



4-leg frame in Ø16mm powder coated or chrome-plated steel tubing.
Consumer-recycled ABS-plastic, in standard colours light beige, grey, black, slick green, blue, orange, camel & yellow. Details on back and seat in die-cast zinc matching the frames finish. Black glides made of recycled plastic. Black glides made of recycled plastic.

OPTIONS

Sound-absorbent felt pad under the seat at additional cost.
Upholstered seat as an alternative.
Frame for outdoor use.

WEIGHT

Taburett Plus 3.9 kg





LAMMHULTS

Lammhults Möbel AB

Box 26
SE-363 03 Lammhult
Sweden

+46 472 26 95 00
info@lammhults.se
lammhults.se